

# MX-2600N Digital Full Colour Multifunctional System

## SPECIFICATIONS

### General

<b>Type</b>	Desktop
<b>Engine speed (colour &amp; B/W)</b>	Max. 26 cpm/ppm (A4, long-edge feeding) Max. A3 wide, min. A5R
<b>Paper size</b>	Standard: 1,100 sheets (two 500-sheet trays and 100-sheet multi-bypass tray) Maximum: 5,600 sheets
<b>Paper capacity (80 g/m<sup>2</sup>)</b>	Tray: 60 g/m <sup>2</sup> to 209 g/m <sup>2</sup> Large-capacity tray: 60 g/m <sup>2</sup> to 105 g/m <sup>2</sup> Multi-bypass tray: 55 g/m <sup>2</sup> to 256 g/m <sup>2</sup>
<b>Paper weight</b>	Less than 60 sec.
<b>Warm-up time*1</b>	Copier memory: Standard 1,024MB, max. 2,048MB Printer memory: Standard 512MB, max. 1,536MB 80GB HDD*2
<b>Memory</b>	230 ~240V AC, 50/60 Hz 1.84 kW
<b>Power requirements</b>	620 x 695 x 950 mm
<b>Power consumption (max.)</b>	Approx. 112 kg
<b>Dimensions (W x D x H)</b>	Card shot, edge/centre erase, job build, document filing, document control, user authentication (1,000 accounts), toner save mode, pre-heat/auto power shut-off modes
<b>Weight</b>	
<b>Features</b>	

### Copier

<b>Original paper size</b>	Max. A3
<b>First copy time*3</b>	Full colour: 8.9 sec. B/W: 6.0 sec.
<b>Continuous copy</b>	Max. 999 copies
<b>Resolution</b>	Scan (colour): 600 x 600 dpi Scan (B/W): 600 x 600 dpi, 600 x 400 dpi, 600 x 300 dpi*4 Print: 600 x 600 dpi
<b>Gradation</b>	Equivalent to 256 levels
<b>Zoom range</b>	25 to 400% (25 to 200% using RSPF) in 1% increments
<b>Preset copy ratios</b>	Metric: 10 ratios (5R/5E)
<b>Features*5</b>	Auto paper selection (mixed/random size feeding), auto magnification selection, paper type selection, auto tray switching, rotation copy, electronic sorting, network tandem copy, book copy, margin shift, dual page copy, multi-shot (4-in-1, 2-in-1), cover/transparency/tab page insertion, pamphlet copy, 2-sided copy orientation change, XY zoom, B/W reverse, mirror image, duplex copy, reserved copy, job programme, image repeat, irregular original/paper size input, stamps (date, page number, text, stamp), multi-page enlargement, tab copy, centering, proof copy, 3G Sharp auto colour mode, auto colour selection, auto calibration

### Network Scanner

<b>Scan method</b>	Push scan (via control panel), pull scan (TWAIN-compliant application)
<b>Resolution</b>	Push scan: 100, 200, 300, 400, 600 dpi Pull scan: 75, 100, 150, 200, 300, 400, 600 dpi 50 to 9,600 dpi via user setting
<b>File formats</b>	TIFF, PDF, encrypted PDF, JPEG (colour only), XPS*6
<b>Scanner utility</b>	Sharpdesk
<b>Scan destinations</b>	Scan to e-mail, desktop, FTP server, network folder (SMB), USB memory
<b>Features</b>	Internet fax*7 (supports direct SMTP), PC-Internet fax transmission*7, 3G Sharp auto colour mode, mixed size original scanning, LDAP support, direct entry (address, subject, message), 999 one-touch dials, 500 group dials, 48 job programmes, broadcasting, long original scanning (max. 1,000 mm)*8, auto colour selection

- \* 1 : At rated voltage, 23°C. May vary depending on operating conditions.
- \* 2 : HDD capacity depends on procurement and sourcing status.
- \* 3 : Long-edge feeding of A4 sheets from 1st paper tray, using document glass, without Auto Colour Selection and Auto Colour mode, polygon motor running. May take longer when taking a copy for the first time immediately after turning the machine on.
- \* 4 : Not available when using RSPF.
- \* 5 : Some features require option(s).
- \* 6 : To view XPS files on PCs not running Windows Vista, you must have the XPS Viewer application installed.
- \* 7 : Optional MX-FWX1 required.
- \* 8 : B/W documents only, scanned at under 400-dpi resolution. Max. 800 mm for Internet faxing or when scanning at 600 x 600-dpi resolution.
- \* 9 : Measured using Sharp's standard chart (A4 with 6% coverage, B/W). The Quick File Folder shares the HDD with the Job Build function; up to 12GB of data storage is available when using both functions. The storage capacity will be less for colour pages.
- \*10 : Optional MX-PKX1 required for Mac OS and EtherTalk.
- \*11 : Windows Server 2008 available at a later date.
- \*12 : PS requires optional MX-PKX1. XPS requires optional MX-PUX1 and MX-ARSMX3 (1GB).
- \*13 : Some features are not available according to the printer driver used.
- \*14 : Based on Sharp's standard chart with approx. 700 characters (A4 long-edge feeding) at standard resolution in Super G3 mode, 33,600 bps, JBIG compression.

- Design and specifications are subject to change without prior notice.
- Colour variations to products may occur due to printing.
- Some features require Optional items. Please consult with an authorised Sharp Reseller for details.
- All information and technical details are correct as at machine release date.
- Windows, Windows NT, Windows Server, and Windows Vista are registered trademarks of Microsoft Corporation in the United States and/or other countries. All other brand names and product names may be trademarks or registered trademarks of their respective owners.
- The Energy Star logo is a certification mark and may only be used to certify products that have been determined to meet the Energy Star programme requirements. Energy Star is a US registered mark. The Energy Star guidelines apply to products only in the US, Europe, Australia, New Zealand, and Japan.

### Document Filing

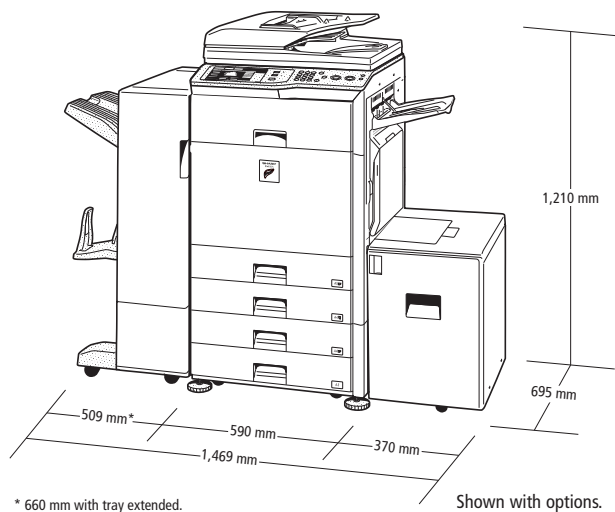
<b>Document filing capacity</b>	Main and custom folders: 38GB, 5,500 pages*9 or 3,000 files Quick file folder: 12GB, 1,700 pages*9 or 1,000 files
<b>Stored jobs*5</b>	Copy, print, scan, fax transmission
<b>Storage folders</b>	Quick file folder, main folder, custom folder (max. 1,000 folders)
<b>Confidential storage</b>	Password protection

### Network Printer

<b>Resolution</b>	1,200 x 1,200 dpi, 600 x 600 dpi
<b>Interface</b>	USB 2.0 10Base-T/100Base-TX/1000Base-T
<b>Supported OS*10</b>	Windows NT® 4.0 SP5 or later, Windows Server® 2003/2008*11, Windows® 98/Me/2000/XP, Windows Vista® Mac OS 9.0 to 9.2.2, Mac OS X 10.2.8, 10.3.9, 10.4 to 10.4.11, 10.5 to 10.5.1
<b>Network protocols*10</b>	TCP/IP (IPv4, IPv6), IPX/SPX (NetWare), NetBEUI, EtherTalk (AppleTalk)
<b>Printing protocols</b>	LPR, Raw TCP (port 9100), POP3 (e-mail printing), HTTP, Novell Printserver application with NDS and Bindery, FTP for downloading print files, EtherTalk printing, IPP
<b>PDL (emulation)</b>	Standard: PCL 6/5c emulation Option*12: PS3 emulation, XPS
<b>Available fonts</b>	80 fonts for PCL, 136 fonts for PS3 emulation
<b>Features*5 *13</b>	Network tandem print, RIP Once/Print Many, job retention (print hold, proof print, confidential print), direct PDF/TIFF/JPEG/XPS printing, carbon copy print, duplex print, font/form download, offset output, printer administration utility and status monitor, pamphlet style, IP/MAC address filtering, port/protocol management, binding edge, N-up (2/4/6/8/9/16), paper/output tray selection, cover insertion, transparency interleave, fit to page, watermarks, form overlay, auto configuration, barcode font compatibility, tab print, poster print, secure network communications (SSL and IPsec [LPD])

### B/W Facsimile (optional MX-FXX2 required)

<b>Compression method</b>	MH/MR/MMR/JBIG
<b>Communication protocol</b>	Super G3/G3
<b>Transmission time</b>	Less than 3 seconds*14
<b>Modem speed</b>	33,600 bps to 2,400 bps with automatic fallback
<b>Transmission resolution</b>	From Standard (203.2 x 97.8 dpi) to Super Fine (406.4 x 391 dpi)
<b>Recording width</b>	A3 to A5
<b>Memory</b>	8MB flash memory
<b>Grey scale levels</b>	Equivalent to 256 levels
<b>Features</b>	Duplex transmission/reception, quick on-line transmission, error correction mode, 999 one-touch dials, 500 group dials, LDAP support, 48 job programmes, broadcasting number registration, F-Code compatibility (confidential, relay broadcast), polling, memory transmission/reception, auto reduction (transmission/reception), rotation transmission/reception, print actual size, 2-in-1 transmission, long original transmission (max. 1,000 mm), PC-Fax transmission, timer transmission, inbound routing to e-mail, activity report, anti-junk fax, dual page scan, mixed size original scanning, inbound routing to e-mail/FTP server/network folder (SMB)/PC desktop/group.



# SHARP

Australian Government Endorsed Supplier  
Supporting Australian Business

**SHARP CORPORATION OF AUSTRALIA PTY LTD**  
ABN 40 003 039 405  
1 Huntingwood Drive, Huntingwood NSW 2148  
PO Box 6827 Blacktown NSW 2148  
Tel: (02) 9830 4600 Fax: (02) 9672 1208  
www.sharp.net.au

Distributed by: