

**SPECIFICATIONS**

**General**

Type	Desktop
Engine speed	Max. 35/31/26 cpm/ppm (A4, 8 1/2" x 11", long-edge feeding)
Paper size	Max. A3 (11" x 17"), min. A5 (5 1/2" x 8 1/2")
Paper capacity (80 g/m <sup>2</sup> )	Standard: 1,100 sheets (two 500-sheet trays and 100-sheet multi-bypass tray) Maximum: 2,100 sheets
Paper weight	Tray: 56 g/m <sup>2</sup> to 105 g/m <sup>2</sup> (13 lbs bond to 28 lbs bond) Multi-bypass tray: 56 g/m <sup>2</sup> to 200 g/m <sup>2</sup> (13 lbs bond to 110 lbs index)
Warm-up time*1	20 sec.
Memory	[Standard] 2GB (copy/print shared) [Option] 160GB HDD*2
Power requirements	Rated local AC voltage ±10%, 50/60 Hz
Power consumption (max.)	1.84 kW (220 to 240V), 1.44 kW (100 to 127V)
Dimensions (W x D x H)	[U models] 625 x 645 x 686 mm (24 39/64" x 25 25/64" x 27 1/64")*3 [N models] 625 x 645 x 799 mm (24 39/64" x 25 25/64" x 31 29/64")
Weight (approx.)	[U models] 46.5 kg/102.5 lbs (220 to 240V) 46.0 kg/101.4 lbs (100 to 127V) [N models] 52.1 kg/114.9 lbs (220 to 240V) 51.6 kg/113.8 lbs (100 to 127V)

**Copier**

Original paper size	Max. A3 (11" x 17")
First copy time*4	4.0/4.4/4.9 sec.
Continuous copy	Max. 999 copies
Resolution	Scan: 600 x 600 dpi, 600 x 400 dpi, 600 x 300 dpi Print: 600 x 600 dpi
Gradation	Scan: 256 levels      Print: 2 levels
Zoom range	25% to 400% (25% to 200% using RSPF) in 1% increments
Preset copy ratios	Metric: 10 ratios (5R/5E), inch: 8 ratios (4R/4E)

**Network Colour Scanner (optional MX-NSX1 required for U models)**

Scan method	Push scan (via control panel), pull scan (TWAIN-compliant application)*5
Resolution	Push scan: 100, 200, 300, 400, 600 dpi Pull scan: 75, 100, 150, 200, 300, 400, 600 dpi 50 to 9,600 dpi via user setting
File formats	TIFF, PDF, PDF/A, encrypted PDF, JPEG (colour only), XPS
Scanner utilities	Sharpdesk, Sharp OSA Network Scanner Tool
Scan destinations	Scan to e-mail/desktop/FTP server/network folder (SMB)/USB memory*6

\*1: At rated voltage, 23°C (73.4°F). May vary depending on operating conditions and environment.  
 \*2: HDD capacity depends on procurement and sourcing status.  
 \*3: Including document cover.  
 \*4: Long-edge feeding of A4 (8 1/2" x 11") sheets from 1st paper tray, using document glass, MFP in fully ready condition. May vary depending on operating conditions and environment.  
 \*5: Optional MX-HD12 required.  
 \*6: Scan to USB memory is standard on both N and U models (MX-NSX1 is not required).  
 \*7: Storage capacity will vary depending on the type of document and the scan settings.  
 \*8: Some features require option(s).  
 \*9: U models require optional MX-PB15.  
 \*10: Optional MX-PK11 required for Mac OS and EtherTalk.  
 \*11: PCL requires optional MX-PB15. PostScript 3 requires optional MX-PK11 and MX-PB15.  
 \*12: Requires optional MX-PK11.  
 \*13: Based on Sharp's standard chart with approx. 700 characters (A4 or 8 1/2" x 11" long-edge feeding) at standard resolution in Super G3 mode, 33,600 bps, JBIG compression.

**Document Filing (optional MX-HD12 required)**

Document filing capacity*7	Main and custom folders: 20,000 pages or 3,000 files Quick file folder: 10,000 pages or 1,000 files
Stored jobs*8	Copy, print, scan, fax transmission
Storage folders	Quick file folder, main folder, custom folder (max. 1,000 folders)
Confidential storage	Password protection

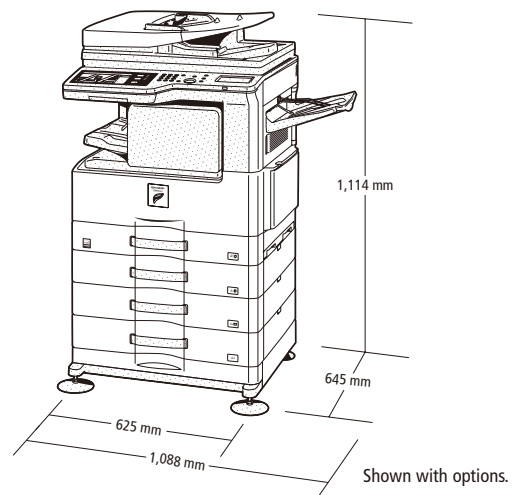
**Network Printer**

Resolution	1,200 x 600 dpi*9, 600 x 600 dpi
Interface	USB 2.0, 10Base-T/100Base-TX/1000Base-T
Supported OS*10	Windows Server® 2003, Windows Server® 2008, Windows Server® 2012, Windows® XP, Windows Vista®, Windows® 7, Windows® 8, Mac OS X 10.4, 10.5, 10.6, 10.7, 10.8, 10.9
Network protocols*10	TCP/IP (IPv4, IPv6), IPX/SPX (NetWare), NetBEUI, EtherTalk (AppleTalk)
Printing protocols	LPR, Raw TCP (port 9100), POP3 (e-mail printing), HTTP, Novell Printserver application with NDS and Bindery, FTP for downloading print files, EtherTalk printing, IPP
PDL (emulation)	[U models] Standard: Sharp Advanced Printing Language Option*11: PCL 6 emulation, PostScript® 3™ emulation [N models] Standard: PCL 6 emulation Option*12: PostScript 3 emulation
Available fonts	80 fonts for PCL, 136 fonts for PostScript 3 emulation

**Facsimile (optional MX-FX11 required)**

Compression method	MH/MR/MMR/JBIG
Communication protocol	Super G3/G3
Transmission time	Less than 3 seconds*13
Modem speed	33,600 bps to 2,400 bps with automatic fallback
Transmission resolution	From Standard (203.2 x 97.8 dpi) to Ultra Fine (406.4 x 391 dpi)
Recording width	A3 to A5 (11" x 17" to 5 1/2" x 8 1/2")
Memory	512MB, max. 1GB*5
Grey scale levels	Equivalent to 256 levels

• Design and specifications are subject to change without prior notice.  
 • PCL is a registered trademark of Hewlett-Packard Company. PostScript 3 is either a registered trademark or trademark of Adobe Systems Incorporated in the US and/or other countries. Windows, Windows Server, Windows Vista, Excel, and PowerPoint are registered trademarks of Microsoft Corporation in the US and/or other countries. Macintosh, Mac OS, EtherTalk, and AppleTalk are trademarks of Apple Inc., registered in the US and other countries. All other brand names and product names may be trademarks or registered trademarks of their respective owners.  
 • The ENERGY STAR logo is a certification mark and may only be used to certify products that have been determined to meet the ENERGY STAR programme requirements. ENERGY STAR is a US registered mark. The ENERGY STAR guidelines apply to products only in the US, the EU, Japan, Canada, Australia, New Zealand, and Taiwan.



Distributed by:

