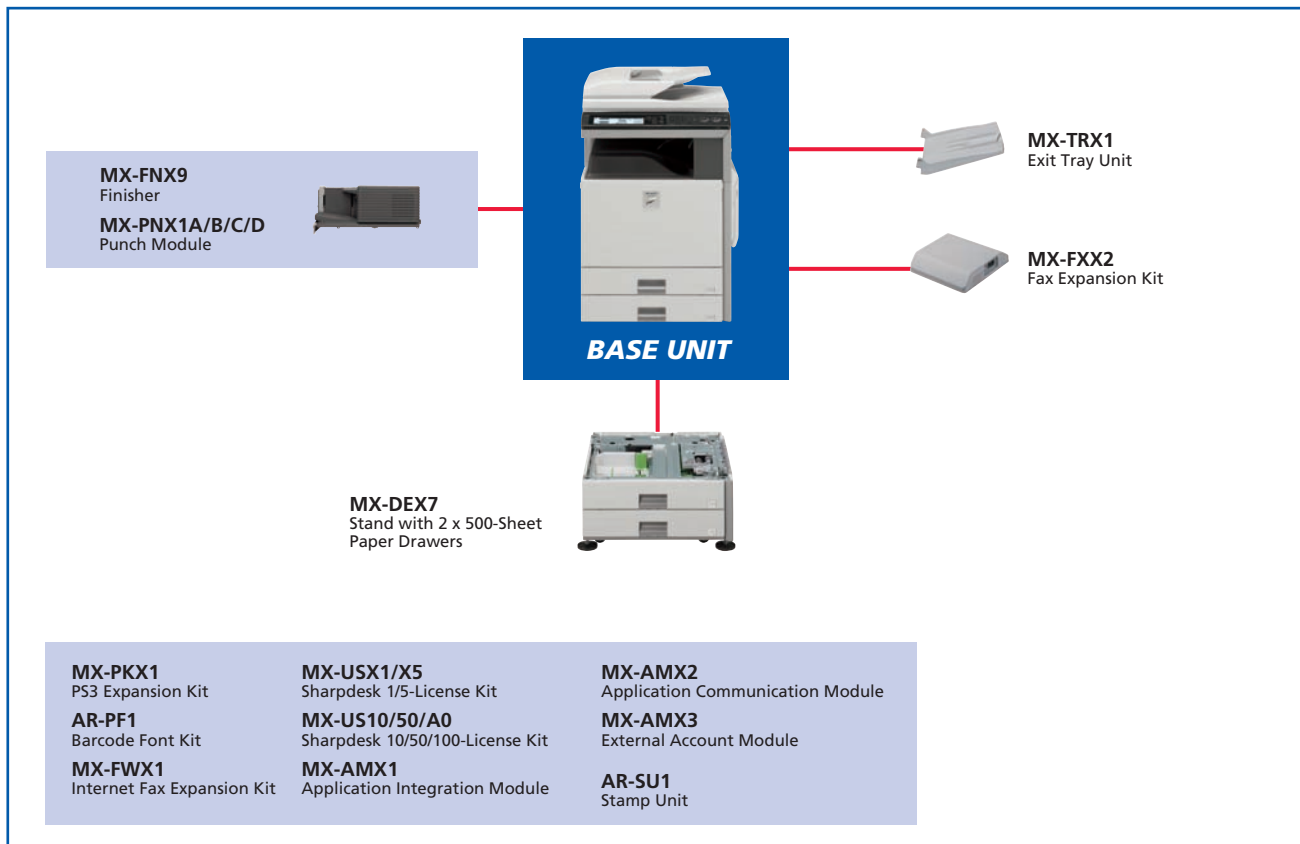




# OPTIONS

## System Configuration



Certain options may not be available in some areas.

## Specifications for Options

### MX-FNX9 Finisher

Paper size	Non offset Offset/staple	A3W to A5R A3 to B5
Paper capacity (max.)		500 sheets (A4 or smaller), 250 sheets (B4 or larger)
Stapling capacity		50 sheets (A4 or smaller), 30 sheets (B4 or larger)
Staple position		3 locations (front, rear or both)

### Punch Modules

Model name	For the MX-FNX9	MX-PNX1A	MX-PNX1B	MX-PNX1C	MX-PNX1D
Number of holes		2	3	4	4 (wide)
Paper weight		55 to 209 g/m <sup>2</sup> *1			

\*1: Punchable weight is 55 to 128 g/m<sup>2</sup>.

### MX-DEX7 Stand with 2 x 500-Sheet Paper Drawers

Paper size (upper and lower tray)	A3 to B5R
Paper capacity (upper and lower tray)	500 sheets each (80 g/m <sup>2</sup> )

### MX-FXX2 Fax Expansion Kit

Compression method	MH/MR/MMR/JBIG
Communication protocol	Super G3/G3
Modem speed	33,600 bps to 2,400 bps

## Sharpdesk 3.2 System Requirements

CPU and memory	Depends on operating system used
Hard disk	300MB or more available space (including sample image files and help files)
Monitor	SVGA resolution or better and capable of displaying more than 256 colours (True Color recommended)
Supported OS	Windows® 98 Second Edition, Windows® Me, Windows® 2000 Professional, Windows® XP Professional, Windows® XP Home Edition, Windows Vista®*2
Network protocols	TCP/IP (using Network Scanner Tool)

\*2: Windows Vista 64 bit is supported as 32-bit compatible mode. Sharpdesk Composer does not support Windows Vista 64 bit.

## SPECIFICATIONS

General	
Type	Desktop
Engine speed (colour & B/W)	Max. 23 cpm/ppm (A4, long-edge feeding)
Paper size	Max. A3 wide, min. A5R
Paper capacity (80 g/m <sup>2</sup> )	Standard: 1,100 sheets (two 500-sheet trays and 100-sheet multi-bypass tray) Maximum: 2,100 sheets
Paper weight	Tray: 60 g/m <sup>2</sup> to 209 g/m <sup>2</sup> Multi-bypass tray: 55 g/m <sup>2</sup> to 256 g/m <sup>2</sup>
Warm-up time*1	Less than 60 sec.
Memory	Copier memory: 1GB Printer memory: 512MB 80GB HDD*2
Power requirements	230 - 240V AC, 50/60 Hz
Power consumption (max.)	1.84 kW
Dimensions (W x D x H)	620 x 670 x 950 mm
Weight	Approx. 112 kg
Features	Card shot, edge/centre erase, job build, document filing, user authentication (1,000 accounts), pre-heat/auto power shut-off modes

Copier	
Original paper size	Max. A3
First copy time*3	Full colour: 8.9 sec. B/W: 6.0 sec.
Continuous copy	Max. 999 copies
Resolution	Scan (colour): 600 x 600 dpi Scan (B/W): 600 x 600 dpi, 600 x 400 dpi, 600 x 300 dpi Print: 600 x 600 dpi Equivalent to 256 levels
Gradation	25 to 400% (25 to 200% using RSPF) in 1% increments
Zoom range	10 ratios (5R/5E)
Preset copy ratios	Auto paper selection (mixed/random size feeding), auto magnification selection, paper type selection, auto tray switching, rotation copy, electronic sorting, network tandem copy, book copy, margin shift, dual page copy, multi-shot (4-in-1, 2-in-1), cover/transparency/tab page insertion, pamphlet copy, 2-sided copy orientation change, XY zoom, B/W reverse, mirror image, duplex copy, reserved copy, job programme, image repeat, irregular original/paper size input, stamps (date, page number, text, stamp), multi-page enlargement, tab copy, centering, proof copy, 3G Sharp auto colour mode, auto colour selection, auto calibration
Features*4	

Network Scanner	
Scan method	Push scan (via control panel), pull scan (TWAIN-compliant application)
Resolution	Push scan: 100, 200, 300, 400, 600 dpi Pull scan: 75, 100, 150, 200, 300, 400, 600 dpi 50 to 9,600 dpi via user setting
File formats	TIFF, PDF, encrypted PDF, JPEG (colour only)
Scanner utility	Sharpdesk
Scan destinations	Scan to e-mail, desktop, FTP server, network folder (SMB), USB memory
Features	Internet fax*5 (supports direct SMTP), PC-Internet fax transmission*5, 3G Sharp auto colour mode, mixed size original scanning, LDAP support, direct entry (address, subject, message), 999 one-touch dials, 500 group dials, 48 job programmes, broadcasting, long original scanning (max. 1,000 mm)*6, auto colour selection

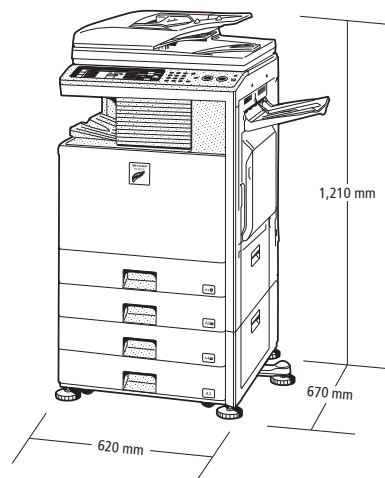
\* 1 : At rated voltage, 23°C. May vary depending on operating conditions.  
 \* 2 : HDD capacity depends on procurement and sourcing status.  
 \* 3 : Long-edge feeding of A4 sheets from 1st paper tray, using document glass, without Auto Colour Selection and Auto Colour mode, polygon motor running. May take longer when taking a copy for the first time immediately after turning the machine on.  
 \* 4 : Some features require option(s).  
 \* 5 : Optional MX-FWX1 required.  
 \* 6 : B/W documents only, scanned at under 400-dpi resolution. Max. 800 mm for Internet faxing or when scanning at 600 x 600-dpi resolution.  
 \* 7 : Measured using Sharp's standard chart (A4 with 6% coverage, B/W). The Quick File Folder shares the HDD with the Job Build function; up to 12GB of data storage is available when using both functions. The storage capacity will be less for colour pages.  
 \* 8 : Optional MX-PKX1 required for Mac OS, EtherTalk, and PS3.  
 \* 9 : Print driver support will be available at a later date.  
 \* 10 : Some features are not available according to the printer driver used.  
 \* 11 : Based on Sharp's standard chart with approx. 700 characters (A4 long-edge feeding) at standard resolution in Super G3 mode, 33,600 bps, JBIG compression.

- Design and specifications are subject to change without prior notice.
- Colour variations to products may occur due to printing.
- Some features require Optional items. Please consult with an authorised Sharp Reseller for details.
- All information and technical details are correct as at machine release date.
- Windows, Windows NT, Windows Server, and Windows Vista are registered trademarks of Microsoft Corporation in the United States and/or other countries. All other brand names and product names may be trademarks or registered trademarks of their respective owners.
- The Energy Star logo is a certification mark and may only be used to certify products that have been determined to meet the Energy Star programme requirements. Energy Star is a US registered mark. The Energy Star guidelines apply to products only in the US, Europe, Australia, New Zealand, and Japan.

Document Filing	
Document filing capacity	Main and custom folders: 38GB, 5,500 pages*7 or 3,000 files Quick file folder: 12GB, 1,700 pages*7 or 1,000 files
Stored jobs*4	Copy, print, scan, fax transmission
Storage folders	Quick file folder, main folder, custom folder (max. 1,000 folders)
Confidential storage	Password protection

Network Printer	
Resolution	600 x 600 dpi
Interface	USB 2.0 10Base-T/100Base-TX/1000Base-T
Supported OS*8	Windows Server® 2003, Windows® XP, Windows Vista®, Windows® 7*9. Mac OS 9.0 to 9.2.2, Mac OS X 10.2.8, 10.3.9, 10.4 to 10.4.11, 10.5 to 10.5.6, 10.6
Network protocols*8	TCP/IP (IPv4, IPv6), IPX/SPX (NetWare), NetBEUI, EtherTalk (AppleTalk)
Printing protocols	LPR, Raw TCP (port 9100), POP3 (e-mail printing), HTTP, Novell Printserver application with NDS and Bindery, FTP for downloading print files, EtherTalk printing, IPP
PDL (emulation)	Standard: PCL 6 emulation Option*8: PS3 emulation
Available fonts	80 fonts for PCL, 136 fonts for PS3 emulation
Features*4 *10	Network tandem print, RIP Once/Print Many, job retention (print hold, proof print, confidential print), direct PDF/TIFF/JPEG printing, carbon copy print, duplex print, font/form download, offset output, printer administration utility and status monitor, pamphlet style, IP/MAC address filtering, port/protocol management, binding edge, N-up (2/4/6/8/9/16), paper/output tray selection, cover insertion, transparency interleave, fit to page, watermarks, form overlay, auto configuration, barcode font compatibility, tab print, poster print, secure network communications (SSL and IPsec [LPD]), toner save mode

B/W Facsimile (optional MX-FXX2 required)	
Compression method	MH/MR/MMR/JBIG
Communication protocol	Super G3/G3
Transmission time	Less than 3 seconds*11
Modem speed	33,600 bps to 2,400 bps with automatic fallback
Transmission resolution	From Standard (203.2 x 97.8 dpi) to Super Fine (406.4 x 391 dpi)
Recording width	A3 to A5
Memory	8MB flash memory
Grey scale levels	Equivalent to 256 levels
Features	Duplex transmission/reception, quick on-line transmission, error correction mode, 999 one-touch dials, 500 group dials, LDAP support, 48 job programmes, broadcasting number registration, F-Code compatibility (confidential, relay broadcast), polling, memory transmission/reception, auto reduction (transmission/reception), rotation transmission/reception, print actual size, 2-in-1 transmission, long original transmission (max. 1,000 mm), PC-Fax transmission, timer transmission, inbound routing to e-mail, activity report, anti-junk fax, dual page scan, mixed size original scanning



Shown with options.